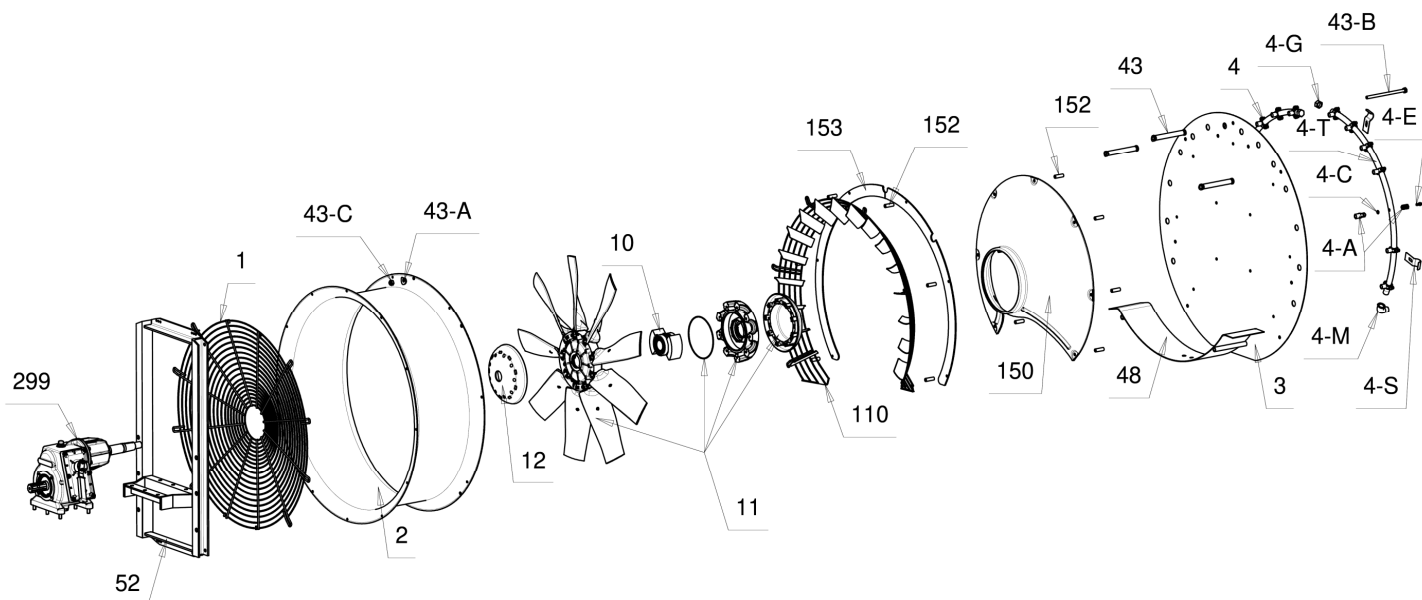


Series: **OPP VPL**

Code: **D.815 - 84VPLTAZ001**



Ref.	Codice-Code	Qty.	D.815 - 84VPLTAZ001	D.815 - 84VPLTAZ001
1	RET00000239	1	RETE D. 820 NERA	D.820 BLACK FAN GUARD
2	CNV00000075	1	CONVOGLIATORE 820 ZINC.H.320	D 820 GALV.FAN HOUSING H.320mm
3	PIA00000993	1	PT/211 PIASTRA ZINC.	GALVANISED BACKPLATE PT/211
48	DVT00000016	1	DEVIATORE H.150 ZINC.	GALVANISED DEFLECTOR H.150mm
54	CON00000025	1	CON/11 CONO TAGLIATO ABBASSATO H.165	
52	CAV00000034	1	CAVALLETTO CM9 OP/815 OPPOSTO NERO	CM9/OP/815 OPPOSITE BLACK FRAME
152	ANE00000041	1	ANELLO TURBO RD/21 3 DIST. NERO	RD/21 BLACK TURBO RING
110	RET00000130	1	RT/17/RDOP RETE EXPORT CON PALETTE SALDATE	RT/17/RDOP FAN GUARD WITH WELDED FINS
152	DIS00000023	6	DISTANZIERE H.38 X TURBO 820 INOX	SS H.38 SPACER
	BULLONI0019	1	KIT BULLONI H.150 3 DISTANZIERI	KIT BOLTS H.150mm 3 SPACERS
43B	TER00000057	5	TE 10x180 DACROMET	
43C	AUT00000106	5	AUTOBLOCCANTE 10MA ALTO INOX	SS LOCKNUT 10MA
43	DIS00000034	3	DIS/150 DISTANZIERE SAGOMATO NERO	DIS/150 SHAPED BLACK SPACER
43C	RON00000153	3	RONDELLA SAGOMATA 10x30x3 INOX	SS SHAPED WASHER 10x30x3
	RON00000114	2	RONDELLA 10x21 ZINC.	GALVANISED WASHER 10x21
4	TUB00000046DX	1	TUBO INOX COMPLETO 7M.DX X 820	SS.COMPL. MANIFOLD 7 CLAMPS RIGHT X 820
4	TUB00000046SX	1	TUBO INOX COMPLETO 7M.SX X 820	SS.COMPL. MANIFOLD 7 CLAMPS LEFT X 820
4G	TAP00000001	1	TAPPO 1/2 GAS F.	1/2 F. GAS CAP
4T	TUB000103DX	1	TUBO INOX 7 FORI DX - 900mm	SS PIPE AT 7 HOLES RIGHT - 900mm LONG
4T	TUB000103SX	1	TUBO INOX 7 FORI SX - 900mm	SS PIPE AT 7 HOLES LEFT - 900mm LONG
	MOR00000003	7	MORSETTO COMPLETO	COMPLETE CLAMP
4A	MOR00000001	7	MORSETTO LUNGO 1/4 F GAS	1/4 F. GAS LONG CLAMP
4C	OR00000014	7	OR 3030 VITON	3030 VITON "O" RING
4E	TCC00000119	14	TCCE 6x14 INOX	SS 6x14 BOLT
128	BULLONI0060	1	KIT BULLONI PER FISSAGGIO TUBI	KIT BOLTS FOR PIPES
4S	STA00000001	4	STAFFA PER TUBI ZINCATA	GALV. STIRRUPS
	TER00000009	4	TE 10x25 ZINCATO	GALV. TE 10x25 BOLT
	AUT00000001	4	AUTOBLOCCANTE 10MA ALTO ZINCATO	GALV. LOCKNUT 10MA
10-11	VPLOP815005	1	VENTOLA COMPLETA DI FRIZIONE D.815 VPLOPP"O"	D.815 VPLOPP"O" COMPLETE FAN WITH CLUTCH
12	COP00000053	1	VPL/13 COPERCHIO VPL CON FORO	VPL/13 COVER WITH HOLE
299	MOLZZ000041	1	MOLTIPLICATORE SENZA LEVA CM9P "B"	CM9P"B" GEARBOX - WITHOUT LEVER
	KIT00000112	1	KIT LEVA COMPLETA CM9/V2G	KIT COMPLETE LEVER CM9/V2G

Data/Date: 01/01/2012 - Aggiornato il /Update on: 29/06/2020

I dati ed i codici riportati nel seguente documento non sono impegnativi la Fieni Giovanni s.r.l. si riserva di apportare modifiche senza preavviso

Fieni Giovanni s.r.l. - Via Chiavicone,10 - 40051 Altedo (BO) Italy - Tel.: +39 051 871004 - Email: info@fieni.it - www.fieni.it