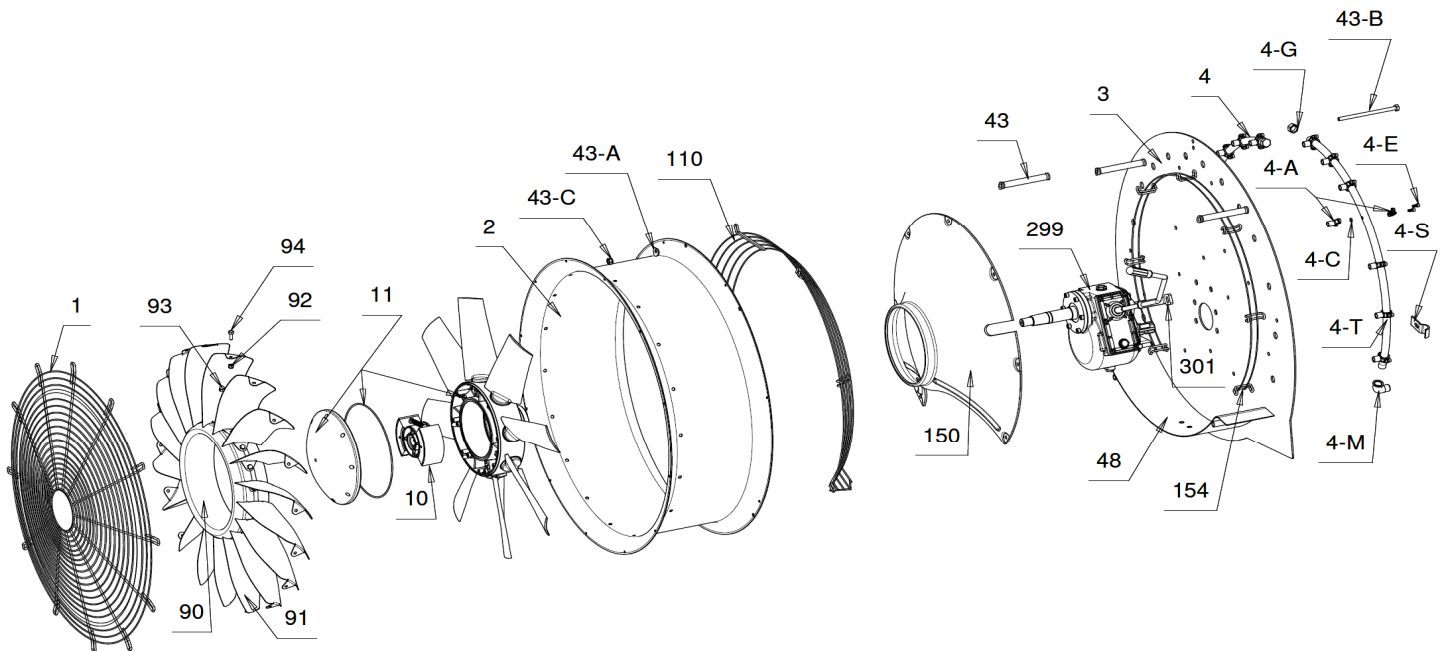


Series: **RAD2000**

Code: **D.815 - 42D00000020**



Ref.	Codice-Code	Qty.	D.815 - 42D00000020	D.815 - 42D00000020
1	RET00000008	1	RETE D. 820 ZINCATA	D.820 GALV. FAN GUARD
2	CNV00000018	1	CONVOGLIATORE 820 H.320 ZINCATO	D.820 GALV.FAN HOUSING H.320mm
3	PIA00000529	1	PIASTRA ZINCATA ZENIT 10Q FORATA PER TUBI	GALVAN.BACKPLATE ZENIT 10Q
48	DVT00000016	1	DEVIATORE ZINCATO H.150	H.150 GALVANISED DEFLECTOR
110	RET00000121	1	PROTEZIONE EXPORT RT/16 ZINCATA	RT/16 SAFETY GUARD - GALVANISED
150	CON00000018	1	CONO PST TAGLIATO+ASOLA H.175	PST CUTTED+SLOTTED HOLE CONE H.175
154	RET00000122	1	PROTEZIONE EXPORT RT/17 820 ZINCATA	RT/17 820 SAFETY GUARD - GALVANISED
	BULLONI0060	1	BULLONI X TUBI	BOLTS FOR MANIFOLDS
4S	STA00000001	4	STAFFE ZINCATE PER TUBI	GALVANISED STIRRUPS FOR PIPES
	TER00000009	4	TER80 10X25	TER80 10X25
	AUT00000001	4	AUTOBLOCCANTE 10MA ALTO	10MA LOCKNUT
	RAD00000016	1	RADDRIZZATORE RAD2000 COMPL. 820	RAD2000 820 S.V. COMPLETE
90	ANE00000035	1	ANELLO ROSSO RD/80	RED RING RD/80
91	PAL00000060	18	PALA INOX RD/60/01	SS BLADE RD/60/01
92	AUT00000005	18	AUTOBLOCCANTE 8MA ALTO ZN.	LOCKNUT 8MA GALV
93	DAD00000020	18	DADO OTTONE CIECO 8	SHAPED BRASS NUT 8
94	TER00000021	18	TE 8x16 ZN	GALV. TE 8x16 BOLT
	BULLONI0014	1	KIT BULLONI H.150 3 DIST.-STANDARD	KIT BOLTS H.150mm 3 SHAPED SPACERS-STD-
43	DIS00000007	3	DISTANZIERE SAGOMATO H.150	H.150mm SHAPED SPACER
43A	RON00000114	2	RONDELLA 10X21	10X21 RING
43A	RON00000118	3	RONDELLA SAGOMATA	SHAPED RING
43B	TER00000006	5	TE R80 10X180	TE R80 10X180
43C	AUT00000001	5	AUTOBLOCCANTE 10 MA	LOCKNUT 10MA
4	TUB000042DX	1	TUBO INOX COMPLETO 7M DX x 820	SS.COMPL. MANIFOLD 7 CLAMPS RIGHT x 820
4	TUB000042SX	1	TUBO INOX COMPLETO 7M SX x 820	SS.COMPL. MANIFOLD 7 CLAMPS LEFT x 820
4M	CUR00000001	1	CURVA 1/2 - 1/2 GAS	1/2 - 1/2 GAS ELBOW
4G	TAP00000001	1	TAPPO 1/2 GAS F.	1/2 F. GAS CAP
4T	TUB000103DX	1	TUBO INOX 7 FORI DX - 900mm	SS PIPE AT 7 HOLES RIGHT - 900mm LONG
4T	TUB000103SX	1	TUBO INOX 7 FORI SX - 900mm	SS PIPE AT 7 HOLES LEFT - 900mm LONG
	MOR00000003	7	MORSETTO COMPLETO	COMPLETE CLAMP
4A	MOR00000001	7	MORSETTO 1/4 F GAS	1/4 F. GAS CLAMP
4C	OR00000014	7	OR 3030 VITON	3030 VITON "O" RING
4E	TCC00000119	14	TCCE 6x14 INOX	SS 6x14 BOLT
11	VAU82000004	1	VENTOLA D. 820VAU 8P ABB ALLUMINIO	ALUMINIUM FAN 820VAU 8 ABB BLADES
10	FRI00000003	1	FRIZIONE 820 V1P-V2C	820 V1P -V2C CLUTCH
299	MOLV2C00020	1	MOLTIPLICATORE V2C "A" 820	V2C "A"GEARBOX 820
	MOLZZ000018	1	MOLTIPLICATORE V2C"A" - SENZA LEVA	V2C"A" GEARBOX - WITHOUT LEVER
	KIT00000107	1	KIT LEVA COMPLETA V2C-820	KIT - V2C -820 COMPLETE LEVER

Data/Date: 01/01/2012 - Aggiornato il /Update on: 08/05/2020

I dati ed i codici riportati nel seguente documento non sono impegnativi la Fieni Giovanni s.r.l. si riserva di apportare modifiche senza preavviso

Fieni Giovanni s.r.l. - Via Chiavicone,10 - 40051 Altedo (BO) Italy - Tel.: +39 051 871004 - Email: info@fieni.it - www.fieni.it