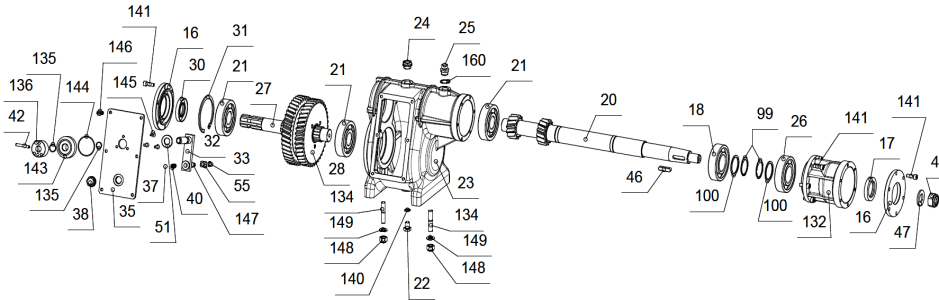


Series: **CM15**

Code: **MOLCM150060**



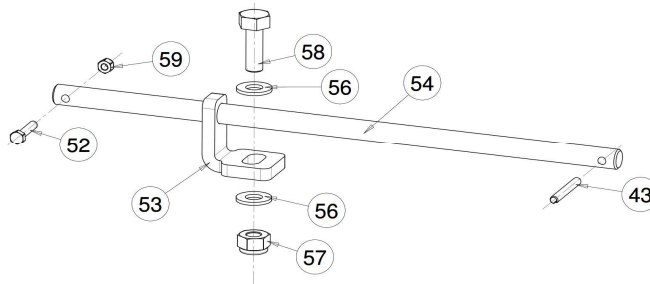
Ref.	Code	Qty.		
	MOLCM150060	1	MOLPLICATORE COMPLETO CM15	COMPLETE GEARBOX CM15

Ref.	Code	Qty.		
	MOLZZ000060	1	MOLPLICATORE SENZA LEVA CM15	V2G2P "A" GEARBOX - WITHOUT LEVER
16	FUS00000058	2	V2G/10 COPERCHIO TONDO	V2G/10 ROUND COVER
17	PAR00000007	1	PARAOLIO 45X65X10 NBR TC	45X65X10 SEAL
18	CUS00000021	1	CUSCINETTO 6309	6309 BEARING
20	PGN00000061	1	PIGNONE Z13-14 CM15/20	CM15/20 SHAFT Z13-14
21	CUS00000022	3	CUSCINETTO 6407	6407 BEARING
22	TER00000011	1	TE R80 12X16	12X16 BOLT
23	FUS00000298	1	CM15/10 SCATOLA CAMBIO CM15	CM15/10 GEARBOX CASING
24	TAP00000002	1	TAPPO CARICO OLIO TSN12	TSN12 OIL LOADING CAP
25	SFI00000002	1	SFIATATOIO OLIO KMW12	KMW12 OIL BREATHER
26	CUS00000030	1	CUSCINETTO 6309 2RS	6309 2RS BEARING
27	PER00000097	1	PERNO CM15/30	SPLINING PIVOT CM15/30
28	COR00000102	1	CORONA Z41-43 CM15/50/40	GEAR Z41-43 CM15/50/40
30	PAR00000027	1	PARAOLIO 35X65X10 NBR SC	35X65X10 SEAL
31	SEGE00000009	1	SEGER I 1100	I 1100 CIRCLIP
99	ANE00000033	2	V2G/50 ANELLINO 45X55X2	V2G/50 45X55X2 RING
100	SEGE00000007	2	SEGER E 45	E 45 CIRCLIP
132	FUS00000006	1	PROLUNGA V2G/L/10	V2G/L/10 EXTENSION
134	PR100000011	6	PRIGIONIERO 12X60 V2G/82	12X60 STUD V2G/82
148	AUT00000002	6	AUTOBLOCCANTE 12MA ALTO	12MA LOCKNUT
149	RON00000115	6	RONDELLA 12X24 ZN	12X24 WASHER
140	RON00000030	1	RONDELLA 12X17X1,5	12X17X1,5 WASHER
141	TCC00000013	18	TCCE 8X25 ZN	TCCE 8X25 GALV.
160	GUA00000006	1	GUARNIZIONE ALLUMINIO 21X27X1,5	ALLUMINIUM SEALING
↓	KIT00000040*	1	KIT COPERCHIO RETTANGOLARE - CM15	KIT- CM15 RECTANGULAR COVER
↓	BULLONI0135*	1	BULLONI BLOCCAGGIO ELICA SU CAMBIO	BOLTS TO LOCK THE FAN ON THE GEARBOX

	KIT00000040*	1	KIT COPERCHIO RETTANGOLARE - CM15	KIT- CM15 RECTANGULAR COVER
32	BIE00000013	1	V2C BIELLA COMPLETA	
33	SEGE00000001	1	SEGER E 10	E 10 CIRCLIP
35	COP00000057	1	COPERCHIO RETTANGOLARE CM15/60	CM15/60 RECTANGULAR COVER
37	SFE00000004	1	SFERA D.11	D. 11 SPHERE
38	LIV00000001	1	LIVELLO OLIO 1/2	1/2 OIL LEVEL
40	MLL00000020	1	MOLLA CM9/12	CM9/12 SPRING
42	SPI00000005	1	SPINA ELASTICA 6X45	6X45 PLUG
51	RON00000101	1	RONDELLA 18X34X3	18X34X3 WASHER
55	CUB00000001	1	V2G/40 CUBO TEMPERATO	V2G/40 TEMPERED CUBE
135	OR00000002	2	OR 2056	2056 "O" RING
136	POR00000002	1	PORTA LEVA CM9/03	LEVER HOLDER CM9/03
143	FLA00000020	1	CF/V1/70 FLANGIA X PORTALEVA	CF/V1/70 FLANGE FOR LEVER HOLDER
144	OR00000023	1	O RING 2200	O RING 2200
145	TPS00000011	3	TPSCE 6X14	TPSCE 6X14
146	TCC00000011	6	TCCE 8X20	TCCE 8X20
147	PER00000099	1	PERNO PORTA CUBO CM15/70	PIVOTCM15/70 FOR CUBE

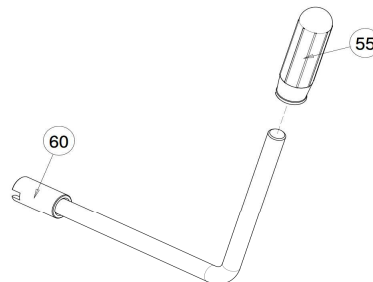
	BULLONI0135*	1	BULLONI BLOCCAGGIO ELICA VPL CG	BOLTS TO LOCK THE FAN ON THE GEARBOX
45	AUT00000010	1	AUTOBLOCCANTE 24	24 LOCKNUT
46	CHI00000001	1	CHIAVETTA 10X8X40	10X8X40 SMALL KEY
47	RON00000103	1	RONDELLA 24X44X4	24X44X4 WASHER

Kit leva CM15



Ref.	Code	Qty.		
	KIT00000126	1	KIT LEVACM15	KIT CM15 LEVER
43	SPI00000013	1	SPINA ELASTICA 5X40	5X40 PLUG
52	TER00000016	1	TE R80 5X25	5X25 TE R80
53	SUP00000095	1	CM15/80 SUPPORTO LEVA CM15 ZN.	LEVER SUPPORT CM12/71 GALVANIZED
54	LEV00000105	1	LEVA CAMBIO CM15 L355 ZN	GALV.LEVER CM12-920
56	RON00000114	2	RONDELLA PIANA 10X21	10X21 WASHER
57	AUT00000001	1	AUTOBLOCCANTE M10	M10 LOCKNUT
58	TER00000010	1	TE R80 10X30	10X30 TE R80
59	AUT00000003	1	AUTOBLOCCANTE 5MA	5MA LOCKNUT

Kit leva mobile



Ref.	Code	Qty.		
	KITFIT00110	1	KIT LEVA MOBILE	KIT MOBILE LEVER
60	LEV00000094	1	LEVA MOBILE ZN	GALVANIZED MOBILE LEVER
55	MAN00000001	1	MANOPOLA d.13	d.13 HANDGRIP

Data/Date: 11/07/2017 - Aggiornato il /Update on: 03/07/2019

I dati ed i codici riportati nel seguente documento non sono impegnativi la Fieni Giovanni s.r.l. si riserva di apportare modifiche senza preavviso
 Fieni Giovanni s.r.l. - Via Chiavicone,10 - 40051 Altedo (BO) Italy - Tel.: +39 051 871004 - Email: info@fieni.it - www.fieni.it